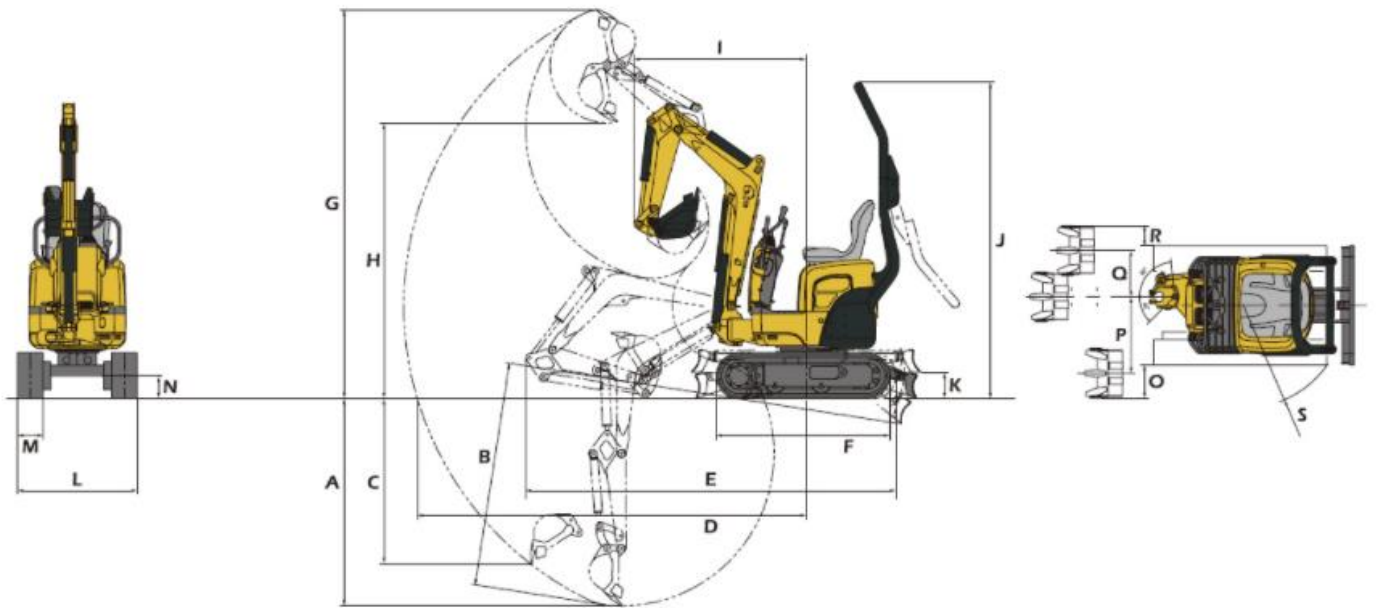


# Dimensions



Unit: mm <ft-in>

	A	B	C	D	E	F	G	H	I	J	K	L	M	N	O	P	Q	R	S
SV08-1C	1500 <4'11">	1620 <5'4">	1260 <4'2">	2730 <8'11">	2600 <8'6">	1220 <4">	2750 <9">	1950 <6'5">	1180 <3'10">	2200 <7'3">	160 <7">	680-840 <2'3"-2'9">	180 <7">	130 <5">	230-310 <9'-1">	540 <1'9">	330 <1'1">	140-220 <6'-9">	725 <2'5">

Model			SV08-1C
Type			Variable track gauge type
Operating Weight	Operating mass	kg <lbs>	1035 <2282>
	Machine mass (without implement)	kg <lbs>	675 <1488>
Engine	Type	-	Vertical two cylinder water-cooled diesel engine
	Model	-	402J-05 IG84557R
	Rated Output	kW <hp>/rpm	7.7 <10.3> / 2400
Performance	Bucket capacity, standard (ISO heaped)	cu.m <cu.ft>	0.022 <0.777>
	Max Digging Force	kN <lbf>	10.5 <2360>
	Traveling Speed	km / h <MPH>	1.8 <1.2>
	Swing Speed	rpm	8.0
	Boom Swing Angle, [L / R]	degrees	45° / 90°
Ground Contact Pressure	Average ground pressure, standard crawler	kPa <PSI>	28.8 <4.18>
Hydraulic System	Pump Capacity	L / min <GPM>	9.8 <2.59>×2 (Gear pump)
	Main Relief Set Pressure	MPa <PSI>	18.1 <2625>×2
Undercarriage	Track Type	-	Rubber
Blade Dimensions	Width x Height	mm <ft-in>	680 / 840 × 180 <2'3" / 2'9" × 7">
Fuel tank capacity		L <Gals>	9.7 <2.6>