

SLANE

TRACK DUMPER



HT1000

www.slanetrac.com



- • • **High Tip**
- • • **Joystick Control**
- • • **1 Tonne Capacity**
- • • **Braked Drive Motors**
- • • **Yanmar Diesel Engine**
- • • **Narrow Access 750mm wide**

HYDRAULIC DRIVE

No Clutches

No Cables

No Drive Belts

SLANE

TRACK DUMPER



HT1000

TECHNICAL SPECIFICATIONS:

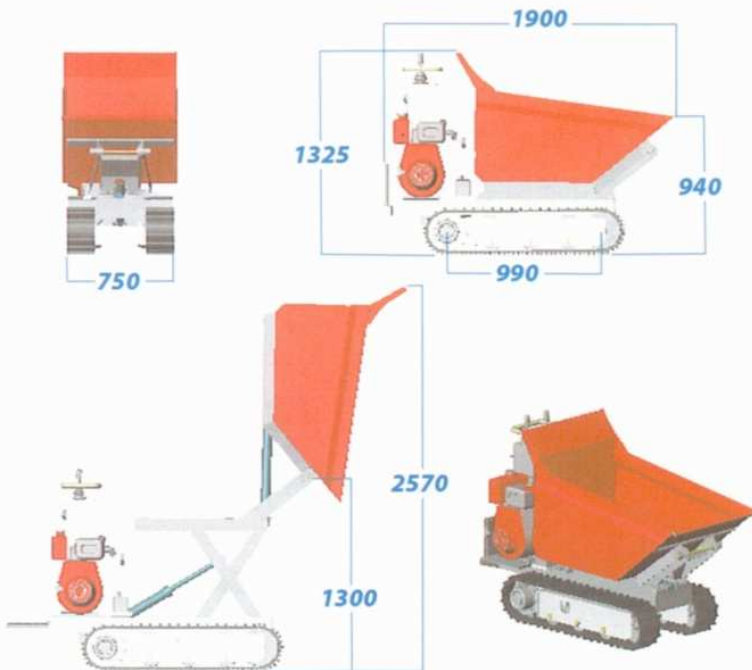
Engine: Yanmar Diesel
Power: (7.4 KW) 10 H.P.
Starting: Electric
Transmission: Hydraulic
Speed: 4.5 KM/H
Gradeability: 36% to 50

Undercarriage: Rubber tracks c/w planetary drive & negative brakes

Operating Pressure: (170 Bar) 2440 P.S.I.
Max Pump Flow: 36L/min
Fuel Tank: 5.5 LT
Hydraulic Oil Tank: (30 LT)
Load Capacity: 1 tonne
Weight: 600 KG

Unlanened machine -----
Weight: 600kg
Contact Pressure: 0.25 kg/cm²

Lanened machine -----
Weight: 1600kg
Contact Pressure: 0.55 kg/cm²



SLANETRAC